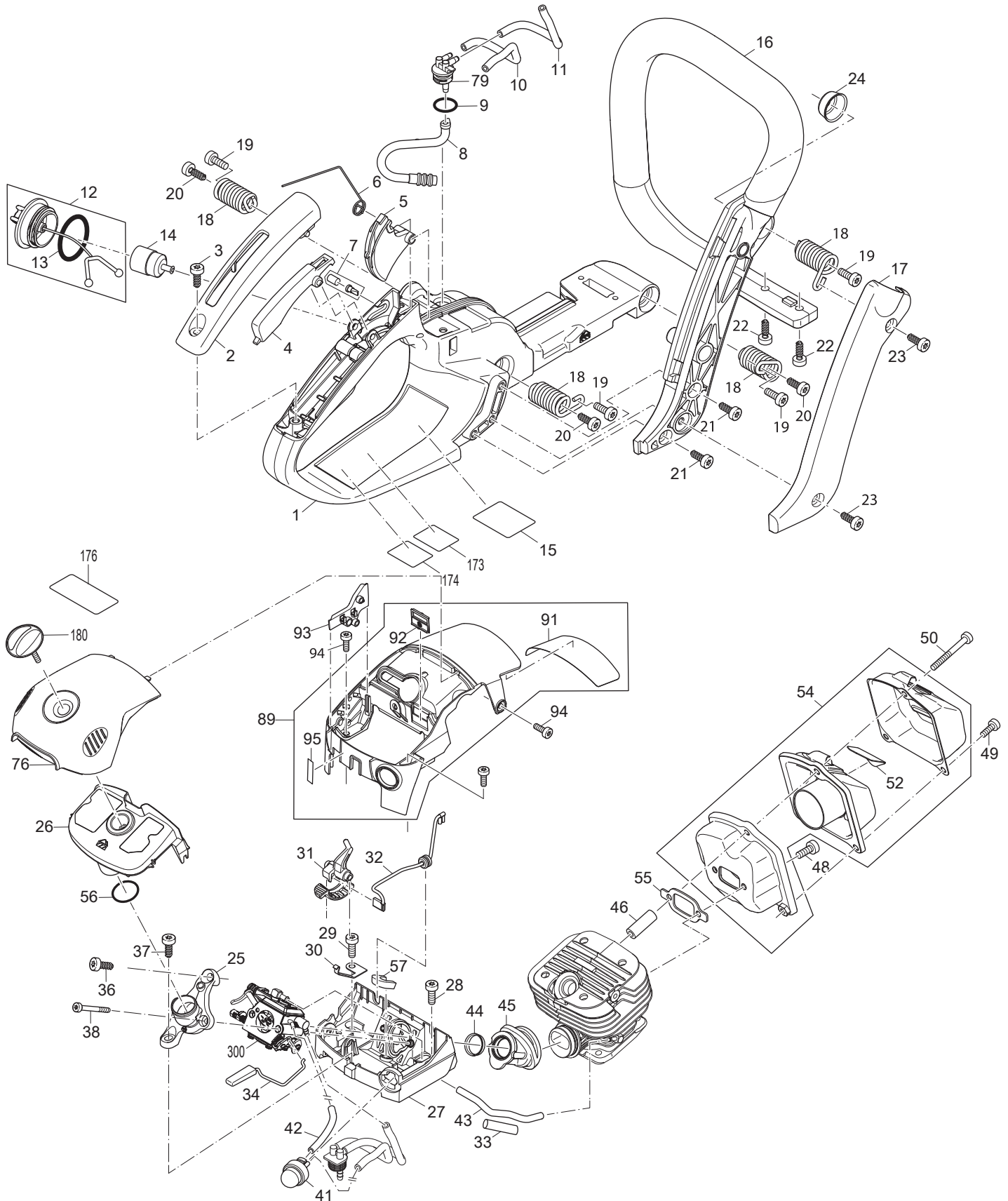
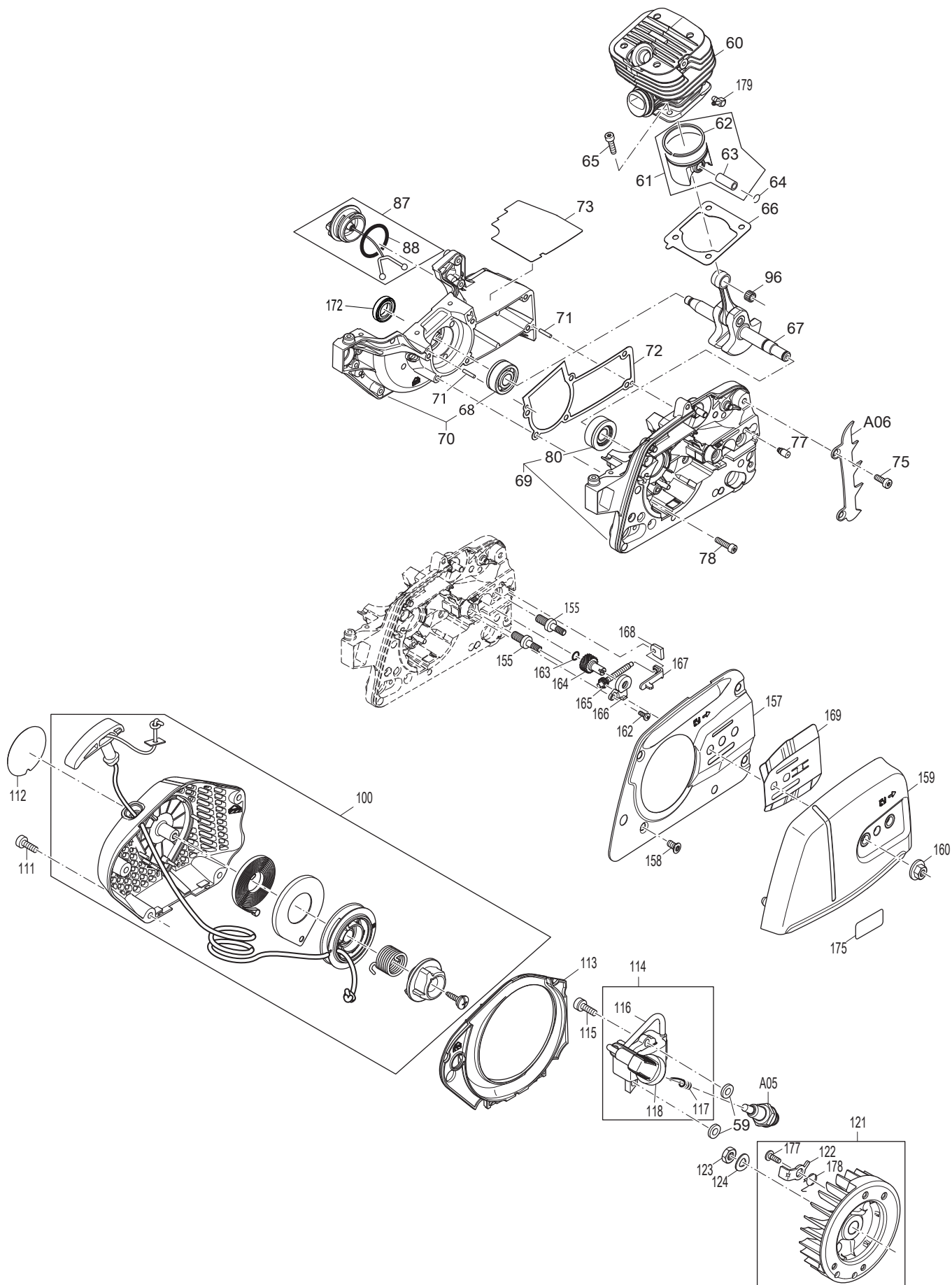
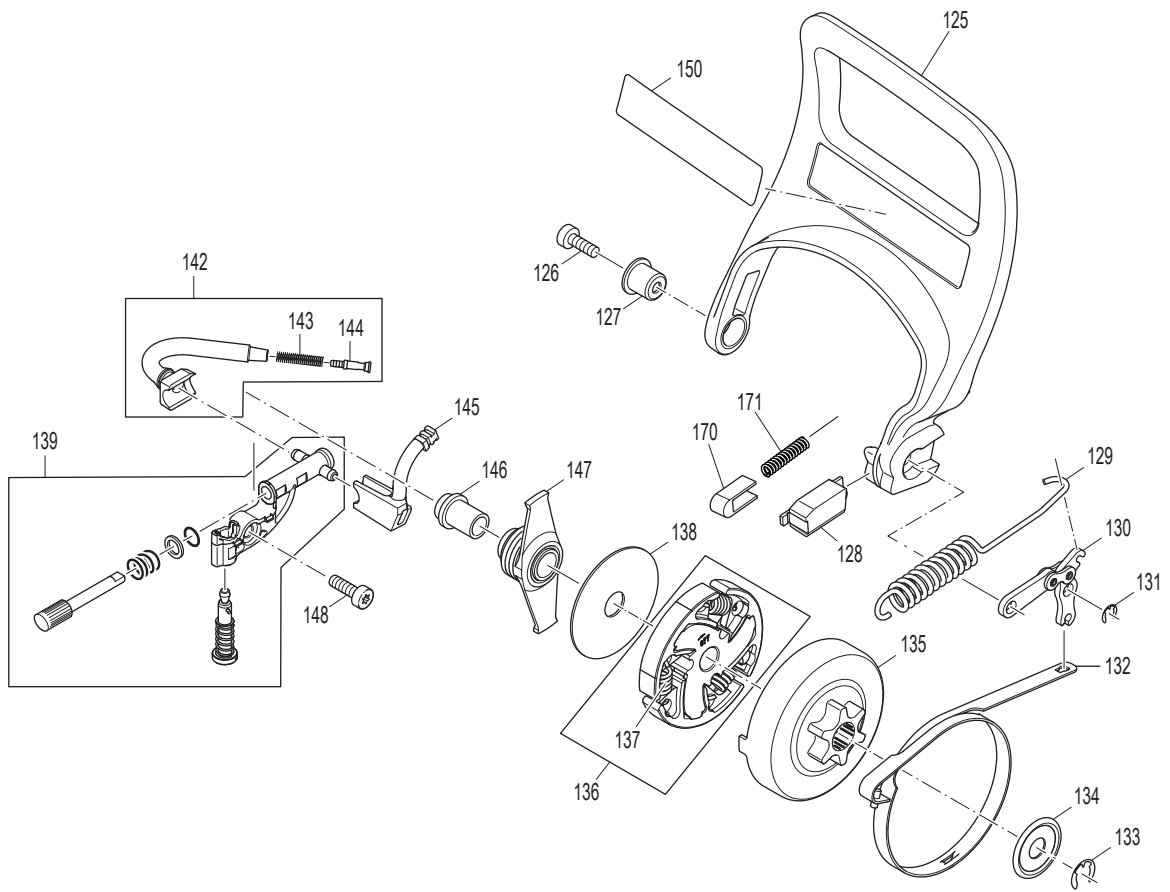




08 - 2016
EA4300FREC
43cc 2 Stroke Chainsaw
18" Bar, .325" 50G, Orange







Item No.	Type	Sub	Part No.	Description	Qty	Unit
001	1		143340-4	FUEL TANK WELDED, ORANGE	1	PC.
002	1		195 117 050	GRIP OUTER SHELL BLACK	1	PC.
	2		456143-0	GRIP OUTER SHELL BLACK	1	PC.
003			266478-9	TORX (HEXLOBULAR) TAPPING SCREW M5.5X16	1	PC.
004	1		195 117 030	CATCH LEVER	1	PC.
	2		456142-2	CATCH LEVER	1	PC.
005	1		195 117 020	THROTTLE LEVER	1	PC.
	2		456141-4	THROTTLE LEVER	1	PC.
006			231866-9	TORSION SPRING 10	1	PC.
007			195762-4	AIR VALVE SET	1	PC.
008			424456-7	FUEL LINE	1	PC.
009			213586-7	O RING 11.5	1	PC.
010			424756-5	TUBE 2.5-118MM	1	PC.
011			424757-3	TUBE 3.0-93MM	1	PC.
012	1		168823-3	TANK CAP COMPLETE	1	PC.
		INC.		Item No. 13		
	2		168507-3	TANK CAP COMPLETE	1	PC.
		INC.		Item No. 13		
013			213080-9	O RING 29.5	1	PC.
014	2		163447-0	FUEL FILTER	1	PC.
015			852C42-6	NAME PLATE FOR EA4300F	1	PC.
016			456140-6	TUBULAR HANDLE	1	PC.
017			456154-5	SIDE COVER MEA BLACK WHITE	1	PC.
018			234189-4	COMPRESSION SPRING 12	4	PC.
019			266605-8	H.L. SOCKET HEAD BOLT M5X16	4	PC.
020			266478-9	TORX (HEXLOBULAR) TAPPING SCREW M5.5X16	3	PC.
021			266478-9	TORX (HEXLOBULAR) TAPPING SCREW M5.5X16	2	PC.
022			266478-9	TORX (HEXLOBULAR) TAPPING SCREW M5.5X16	2	PC.
023			266478-9	TORX (HEXLOBULAR) TAPPING SCREW M5.5X16	2	PC.
024			346517-2	CUP WASHER 6	1	PC.
025	1		195 171 020	INTAKE MANIFOLD	1	PC.
	3		459832-6	INTAKE MANIFOLD	1	PC.
026	1		195 173 150	AIR FILTER COMPLETE, FLEECE	1	PC.
	2		123453-7	AIR FILTER COMPLETE, FLEECE	1	PC.
	Opt.		195 173 050	AIR FILTER COMPLETE, NYLON	1	PC.
027			456169-2	CARBURETOR BOTTOM	1	PC.
028			266605-8	H.L. SOCKET HEAD BOLT M5X16	1	PC.
029			266605-8	H.L. SOCKET HEAD BOLT M5X16	1	PC.
030	2		347357-1	CONTACT SPRING	1	PC.
031			456139-1	CHOKE LEVER	1	PC.
032	1		195 147 010	SHORT CIRCUIT CABLE	1	PC.
	2		632F41-0	SHORT CIRCUIT CABLE	1	PC.
033			424759-9	ISOLATING TUBE 6-30MM	1	PC.
034	1		195 117 110	THROTTLE LINKAGE	1	PC.
	2		143330-7	THROTTLE LINKAGE	1	PC.
036			266478-9	TORX (HEXLOBULAR) TAPPING SCREW M5.5X16	1	PC.
037			266478-9	TORX (HEXLOBULAR) TAPPING SCREW M5.5X16	1	PC.
038	2		266604-0	TORX (HEXLOBULAR) SOCKET HEAD BOLT M4X40	2	PC.
041			168398-2	PRIMER PUMP	1	PC.
042			424754-9	TUBE 2.5-55MM	1	PC.
043			424755-7	TUBE 2.5-93MM	1	PC.
044			346413-4	BUSH 17	1	PC.
045			424753-1	INTAKE HOSE	1	PC.
046	2		325939-9	CONNECTING LINK	1	PC.
048			266605-8	H.L. SOCKET HEAD BOLT M5X16	2	PC.
049	2		266612-1	TORX (HEXLOBULAR) SOCKET HEAD BOLT M5X10	2	PC.
050	2		266606-6	TORX (HEXLOBULAR) SOCKET HEAD BOLT M5X40	1	PC.

Item No.	Type	Sub	Part No.	Description	Qty	Unit
052	1		195 174 280	SPARK ARRESTER SCREEN	1	PC.
	2		352027-9	SPARK ARRESTER SCREEN	1	PC.
054	1		195 174 550	MUFFLER COMPLETE	1	PC.
		INC.		Item No. 52		
	2		161363-0	MUFFLER COMPLETE	1	PC.
		INC.		Item No. 52		
055			346304-9	GASKET	1	PC.
056	1		963 220 013	O RING 20	1	PC.
	2		213085-9	O RING 20	1	PC.
057	1		195 131 090	PACKING RING	1	PC.
	2		424752-3	PACKING RING	1	PC.
059	1		195 143 031	ISOLATING WASHER	2	PC.
	2		451462-9	ISOLATING WASHER	2	PC.
060	1		319338-5	* CYLINDER 42	1	PC.
	2		144710-0	* CYLINDER 42 COM.	1	PC.
		INC.		* Item No. 179	1	PC.
	3		140L37-8	* CYLINDER COM.	1	PC.
		INC.		* Item No. 179	1	PC.
061			143332-3	PISTON COMPLETE 42	1	PC.
		INC.		Item No. 62,63		
062			257383-1	PISTON RING 42	1	PC.
063			268339-9	PISTON PIN 9	1	PC.
064			232302-8	CRIP 9	2	PC.
065			266960-8	TORX (HEXLOBULAR) SOCKET HEAD BOLT M5X20	4	PC.
066			346925-7	CYLINDER BASE GASKET	1	PC.
067	1		195 120 300	* CRANKSHAFT COMPLETE	1	PC.
	3		140H65-9	* CRANKSHAFT COMPLETE	1	PC.
068	2		211341-1	BALL BEARING 6201	1	PC.
069	1		143334-9	* CRANKCASE COMPLETE CLUTCH SIDE, ORANGE	1	PC.
		INC.		* Item No. 71,77,80		
	2		144395-2	* CRANKCASE COMPLETE CLUTCH SIDE, ORANGE	1	PC.
		INC.		* Item No. 71,77,80		
070	1		143336-5	* CRANKCASE COMPLETE MAGNETO SIDE, ORANGE	1	PC.
		INC.		* Item No. 68		
	2		144396-0	* CRANKCASE COMPLETE MAGNETO SIDE, ORANGE	1	PC.
		INC.		* Item No. 68		
071	2		951063-8	CLAMPING PIN 3-16	2	PC.
072			346924-9	CRANK CASE GASKET	1	PC.
073	1		195 111 080	PROTECTION FILM	1	PC.
	2		346928-1	HEAT PROTECTION FOIL	1	PC.
075			266605-8	H.L. SOCKET HEAD BOLT M5X16	2	PC.
076			456159-5	HOOD	1	PC.
077			168504-9	VENT VALVE	1	PC.
078			266960-8	TORX (HEXLOBULAR) SOCKET HEAD BOLT M5X20	6	PC.
079			452018-1	FUEL NIPPLE	1	PC.
080			960 123 129	DEEP GROOVE BALL BEARING	1	PC.
087	1		168823-3	TANK CAP COMPLETE	1	PC.
		INC.		Item No. 88		
	2		168507-3	TANK CAP COMPLETE	1	PC.
		INC.		Item No. 13		
088			213080-9	O RING 29.5	1	PC.
089			161368-0	HOOD COMPLETE BLACK	1	PC.
		INC.		Item No. 91,92,95		
093	1		195 155 031	GUIDE	1	PC.
	2		456138-3	GUIDE	1	PC.
094			266605-8	H.L. SOCKET HEAD BOLT M5X16	3	PC.
095			816917-5	INDICATION LABEL	1	PC.

Item No.	Type	Sub	Part No.	Description	Qty	Unit
096			212093-7	NEEDLE CAGE 912	1	PC.
100			161366-4	STARTER COMPLETE, ORANGE	1	PC.
111			266605-8	H.L. SOCKET HEAD BOLT M5X16	4	PC.
112			810K39-9	MODEL NO. LABEL FOR EA4300F	1	PC.
113			456137-5	AIR GUIDE PLATE	1	PC.
114			161357-5	IGNITION COIL COMPLETE	1	PC.
		INC.		Item No. 116,117,118		
115			266472-1	TORX SH BOLT M5X20	2	PC.
116			444042-8	ISOLATING TUBE 6-80M	1	PC.
117			234358-7	TERMINAL SPRING	1	PC.
118			424750-7	PLUG CAP	1	PC.
121	1		181 141 105	FLYWHEEL COMPLETE	1	PC.
		INC.		Item No. 122,177,178		
	2		143331-5	FLYWHEEL COMPLETE	1	PC.
		INC.		Item No. 122,177,178		
123			264022-6	HEXAGONAL NUT	1	PC.
124			267822-3	SPRING WASHER 8	1	PC.
125			456136-7	FRONT HAND GUARD COMPLETE	1	PC.
126			266605-8	H.L. SOCKET HEAD BOLT M5X16	1	PC.
127			326596-6	BUSH	1	PC.
128			450926-0	STOPPER CASE	1	PC.
129			231870-8	TENSION SPRING 10	1	PC.
130			163500-2	LINK PLATE COMPLETE	1	PC.
131	2		961011-9	STOP RING E-4	1	PC.
132			346029-5	BRAKE BAND	1	PC.
133			259045-7	STOP RING E-8	1	PC.
134			267820-7	WASHER 29	1	PC.
135			158927-9	CLUTCH DRUM COMPLETE	1	PC.
136			123857-3	CLUTCH ASSEMBLY	1	PC.
		INC.		Item No. 137		
138	1		267389-1	FLAT WASHER 12	1	PC.
	2		253454-2	FLAT WASHER 12	1	PC.
139			161346-0	OIL PUMP COMPLETE	1	PC.
142			168645-1	OIL SUCTION LINE COMPLETE	1	PC.
		INC.		Item No. 144,143		
143			234207-8	COMPRESSION SPRING 6	1	PC.
144			452666-6	NIPPLE	1	PC.
145			424178-9	OIL TUBE	1	PC.
146	1		195 245 010	BUSH	1	PC.
	2		325604-0	BUSH	1	PC.
147			450956-1	PUMP DRIVE	1	PC.
148			266605-8	H.L. SOCKET HEAD BOLT M5X16	1	PC.
150	3		818L12-9	CAUTION LABEL	1	PC.
155			266978-9	BOLT M8	2	PC.
157	1		195 213 190	CHAIN BRAKE COVER	1	PC.
	2		346927-3	CHAIN BRAKE COVER	1	PC.
158			266477-1	TORX (HEXLOBULAR) COUNTERSUNK HEAD SCREW M5X12	2	PC.
159	1		161441-6	* SPROCKET GUARD COMPLETE, ORANGE	1	PC.
	2		161792-7	* SPROCKET GUARD COMPLETE, ORANGE	1	PC.
160	2		264055-1	COLLARED HEX NUT M8	2	PC.
162	2		266484-4	* HSH BOLT M5X12	1	PC.
163	2		213594-8	O RING 7	1	PC.
164	2		227744-9	HELICAL GEAR 18	1	PC.
165	2		227743-1	HELICAL GEAR 11	1	PC.
166			452667-4	GEAR COVER PROFESSIONAL	1	PC.
167	2		347252-5	* TENSION SLIDE	1	PC.
168	2		452668-2	GUIDE PLATE	1	PC.

Item No.	Type	Sub	Part No.	Description	Qty	Unit
169			346518-0	GUIDE PLATE	1	PC.
170			313212-9	HAND GUARD GUIDE	1	PC.
171			234093-7	COMPRESSION SPRING 3	1	PC.
172			213141-5	OIL SEAL 12	1	PC.
174			809A36-0	CAUTION LABEL	1	PC.
177			266626-0	TORX (HEXLOBULAR) TAPPING SCREW M5X12 - N/L/A individua	2	PC.
178			232303-6	TORSION SPRING 13 - N/L/A individually	2	PC.
179			325938-1	ANGULAR NIPPLE	1	PC.
180			266977-1	THUMB SCREW	1	PC.
300			161371-1	* CARBURETOR DM23B	1	PC.
		INC.	ZJ00000077	* NOZZLE ASSEMBLY	1	PC.
		INC.	ZJ00000097	* PUMP COVER KIT	1	PC.
		INC.	ZJ00000020	* SCREW (PUMP COVER)	1	PC.
		INC.	ZJ00000026	* SCREW, IDLE MIXTURE	1	PC.
		INC.	ZJ00000027	* SCREW, MAIN MIXTURE	1	PC.
		INC.	ZJ00000037	* STRAINER	1	PC.
		INC.	ZJ00000073	* SPRING	1	PC.
		INC.	ZJ00000015	* THROTTLE SHAFT ASSY	1	PC.
		INC.	ZJ00000012	* SHAFT ASSY, CHOKE	1	PC.
		INC.	ZJ00000030	* VALVE, THROTTLE	1	PC.
		INC.	ZJ00000001	* SCREW	1	PC.
		INC.	ZJ00000036	* PLUG, ACC POCKET	1	PC.
		INC.	ZJ00000098	* THROTTLE LEVER SCREEN	1	PC.
		INC.	ZJ00000022	* LEVER, THROTTLE	1	PC.
		INC.	ZJ00000023	* SCREW	1	PC.
		INC.	ZJ00000021	* COLLAR	1	PC.
		INC.	ZJ00000028	* COVER, METERING	1	PC.
		INC.	ZJ00000014	* SCREW (WITH SERRATION)	1	PC.
		INC.	ZJ00000033	* WASHER	1	PC.
		INC.	ZJ00000031	* LEVER, CHOKE	1	PC.
		INC.	ZJ00000099	* CHOKE LEVER	1	PC.
		INC.	ZJ00000017	* E-RING	1	PC.
		INC.	ZJ00000024	* VALVE, CHOKE	1	PC.
		INC.	ZJ00000005	* PLUNGER KIT	1	PC.
		INC.	ZJ00000032	* SPRING, CHOKE RETURN	1	PC.
		INC.	ZJ00000040	* SPRING, THROTTLE RETURN	1	PC.
		INC.		* Item No. 301-310	1	PC.
301			ZJ00000003	STRAINER	1	PC.
302			ZJ00000008	PIN	1	PC.
303			ZJ00000078	SPRING, METERING LEVER	1	PC.
304			ZJ00000006	LEVER	1	PC.
305			ZJ00000007	VALVE, INLET NEEDLE	1	PC.
306			ZJ00000009	SCREW (METERING LEVER PIN)	1	PC.
307			ZJ00000079	METERING CHAMBER GASKET	1	PC.
308			ZJ00000013	DIAPHRAGM ASS'Y, METERING	1	PC.
309			ZJ00000029	DIAPHRAGM, PUMP	1	PC.
310			ZJ00000016	GASKET, PUMP	1	PC.
311			ZJ00000081	REBUILT KIT	1	PC.
		INC.		Item No. 301-306,312	1	PC.
312			ZJ00000082	GASKET&DIAPHRAGM KIT	1	PC.
		INC.		Item No. 307-310		
313			347438-1	* COOLING PLATE	1	PC.
B01	1		183H53-3	* CYLINDER PISTON SET	1	PC.
		INC.		* Item No. 59-61, 179		
	2		183L41-4	* CYLINDER PISTON SET	1	PC.
		INC.		* Item No. 59-61, 179		
B02			183H51-7	CHAIN TENSION SET	1	PC.

Item No.	Type	Sub	Part No.	Description	Qty	Unit
		INC.		Item No. 163 - 168		
<u>Accessories</u>						
A01			444 045 141	SPROCKET NOSE BAR 18"	1	PC.
A02			419560-5	CHAIN PROTECTION COVER 16-18"	1	PC.
A03			197324-4	ACCESSORY TOOL KIT - N/A	1	PC.
		INC.	782025-3	TORX WRENCH	1	PC.
		INC.	782026-1	UNIVERSAL WRENCH 13/16	1	PC.
		INC.	783012-5	SCREWDRIVER	1	PC.
		INC.	831340-3	ACCESSORY TOOL KIT BAG - N/A for repair	1	PC.
A04			512 484 672	18" LOW KICKBACK CHAIN .325 50G (95VPX72)	1	PC.
A05			0650109950	SPARK PLUG NGK CMR6A	1	PC.
A06			346301-5	SPIKE BAR	1	PC.

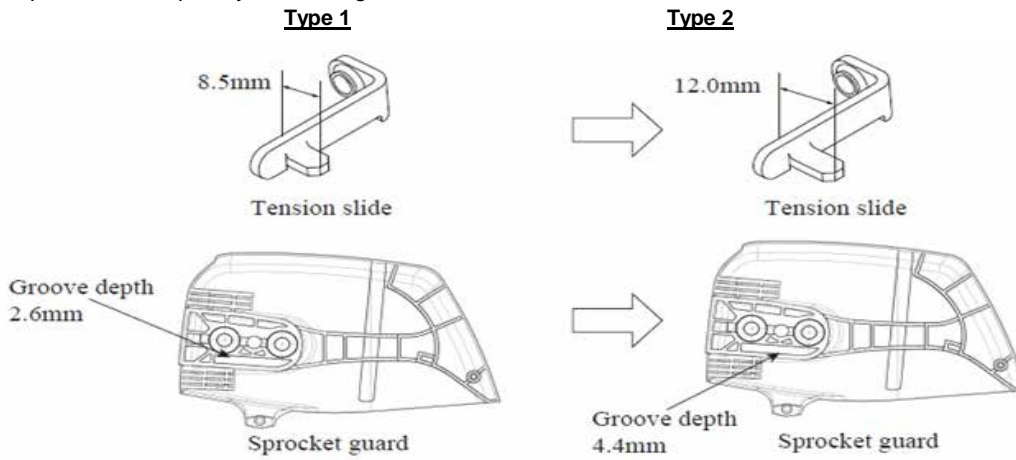
SERVICE CHANGES

1. Changes on Sprocket guard complete and Tension slide

(TI#B8043)

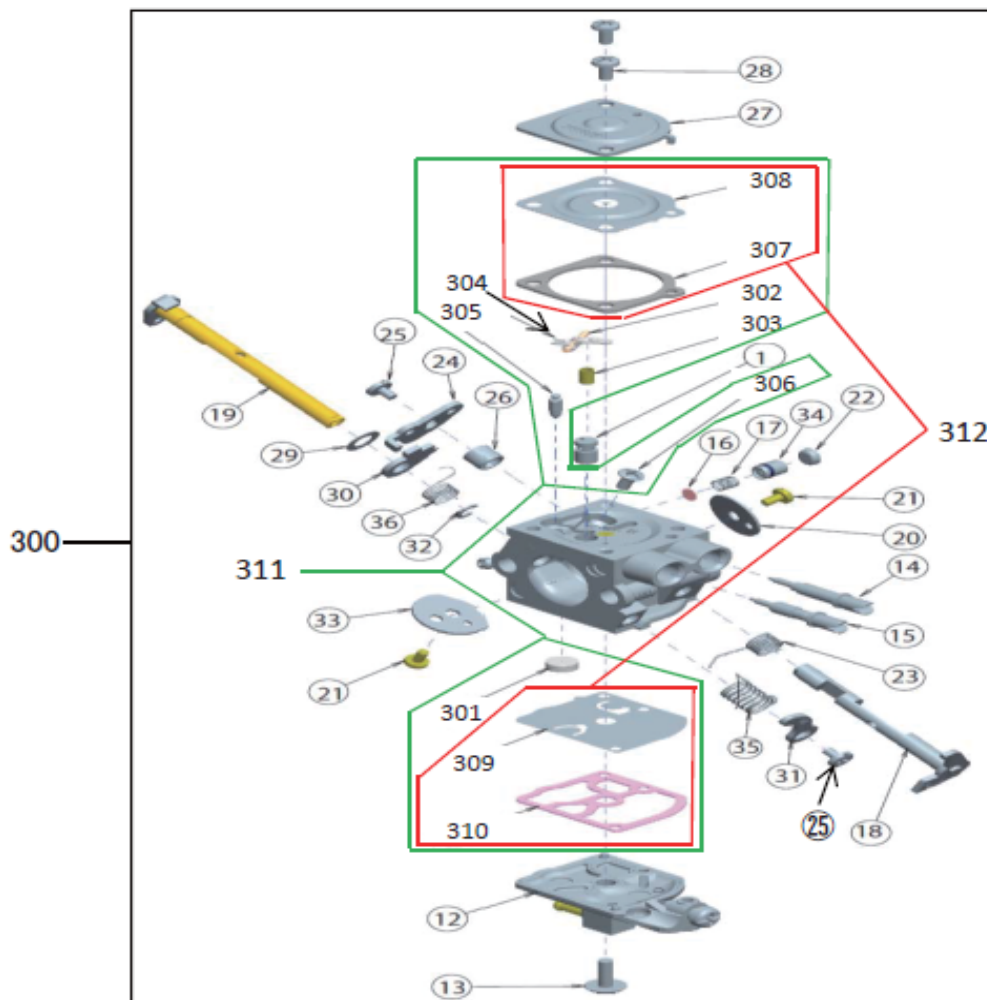
Item No.	Description	Type 1	Type 2
159	SPROCKET GUARD COMPLETE, ORANGE	161441-6	161792-7
167	TENSION SLIDE	346300-7	347252-5

Above parts are completely interchangeable as a set.



2. Addition of Components of Carburetor (TI#Y07234)

Item No.	Description	Part No.
300	CARBURETOR	161371-1



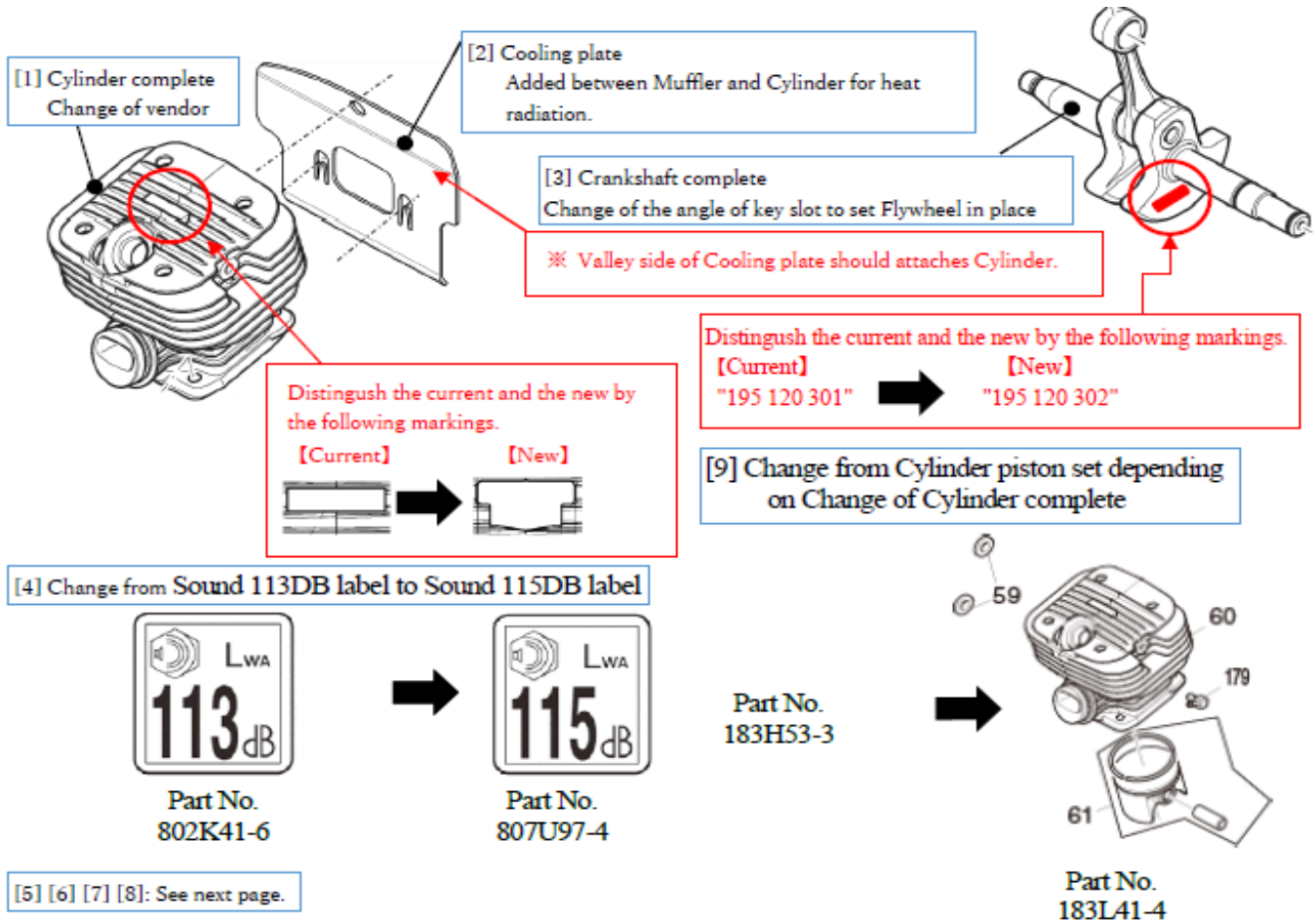
3. Changes on Cylinder, Crankshaft

(TI#C6111)

Item No.	Description	Type 1	Type 2
60	Cylinder Complete	144710-0	140L37-8
67	Crank Shaft Complete	143329-2	140H65-9
313	Cooling Plate	---	347438-1
173	Sound DB Label	802K41-6	807U97-4
B01	Cylinder Piston Set (Optional)	183H53-3	183L41-4

Above parts are completely interchangeable as a set.

Note: On or after December 2018 products, the replacement with the Type 1 parts is prohibited.



4. Changes on Crankcase Complete

(TI#C2572)

Item No.	Description	Type 1	Type 2
69	Crankcase CS Complete	143334-9	144395-2
70	Crankcase MS Complete	143336-5	144396-0
162	Screw / Bolt	251480-5	266484-4

Above parts are completely interchangeable as a set.